



**HIGH PRESSURE  
EQUIPMENT COMPANY**

# AIR DRIVEN, HIGH VOLUME, HIGH PRESSURE, TDA PUMPS

## TDA POWER PACK STANDARD EQUIPMENT

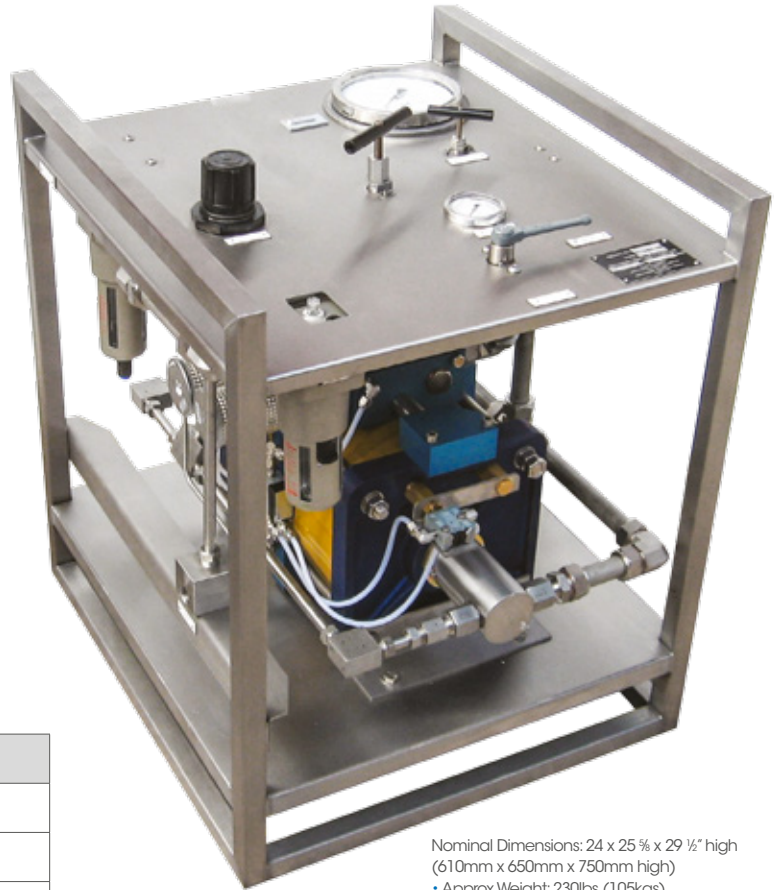
- Fluid inlet strainer
- Air filter, regulator, lubricator gauge & pump on/off valve
- 6" dia (150mm) dia. panel mtd pressure gauge
- Pressure release valve
- Fully assembled with all interconnecting adaptors & pipework
- Robust painted framework

## OPTIONS

- Stainless steel framework, wheels, pressure isolation valve, stroke counting facilities, pneumatic or battery powered, offshore paint specification
- ATEX option to II 2GD cT5

## PERFORMANCE DATA

TDA Model	M.W.P	Output per cycle
63	6,300 psi (434 bar)	16.8in <sup>3</sup> (0.275 litres)
125	12,500 psi (862 bar)	8.59in <sup>3</sup> (0.14 litres)
216	21,600 psi (1489 bar)	4.83in <sup>3</sup> (0.079 litres)



Nominal Dimensions: 24 x 25 1/2 x 29 1/2" high  
(610mm x 650mm x 750mm high)  
• Approx Weight: 230lbs (105kgs)

*Discharge Capacity - Gallons (litres) per minute - Approximately  
based on 212 SCFM (6000 nL/M) with 100psi (7 bar) Driving Air*

PUMP MODEL NO.	0 psi 0 bar	1500 psi 103 bar	3000 psi 207 bar	5000 psi 345 bar	6000 psi 414 bar	8000 psi 552 bar	10,000 psi 690 bar	12,000 psi 828 bar	15,000 psi 1035 bar	20,000 psi 1380 bar
TDA63	7.08 gal	5.00 gal	3.56 gal	1.76 gal	0.62 gal	*	*	*	*	*
63:1 ratio	32.2 ltrs	22.7 ltrs	16.2 ltrs	8 ltrs	2.8 ltrs	*	*	*	*	*
TDA125	3.72 gal	2.80 gal	2.33 gal	1.83 gal	1.61 gal	1.06 gal	0.66 gal	0.08 gal	*	*
125:1 ratio	16.9 ltrs	12.7 ltrs	10.6 ltrs	8.3 ltrs	7.31 ltrs	4.8 ltrs	3 ltrs	0.36 ltrs	*	*
TDA216	2.10 gal	1.87 gal	1.63 gal	1.41 gal	1.35 gal	1.21 gal	1.08 gal	0.95 gal	0.77 gal	0.35 gal
216:1 ratio	9.5 ltrs	8.5ltrs	7.4 ltrs	6.4 ltrs	6.1 ltrs	5.5 ltrs	4.9 ltrs	4.3 ltrs	3.5 ltrs	1.6ltrs

☎ 1-800-289-7447

✉ SALES@HIGHPRESSURE.COM

🌐 WWW.HIGHPRESSURE.COM

2955 W. 17<sup>th</sup> STREET,  
ERIE, PENNSYLVANIA 16505

**PERFECT UNDER PRESSURE**

## TYPICAL APPLICATIONS

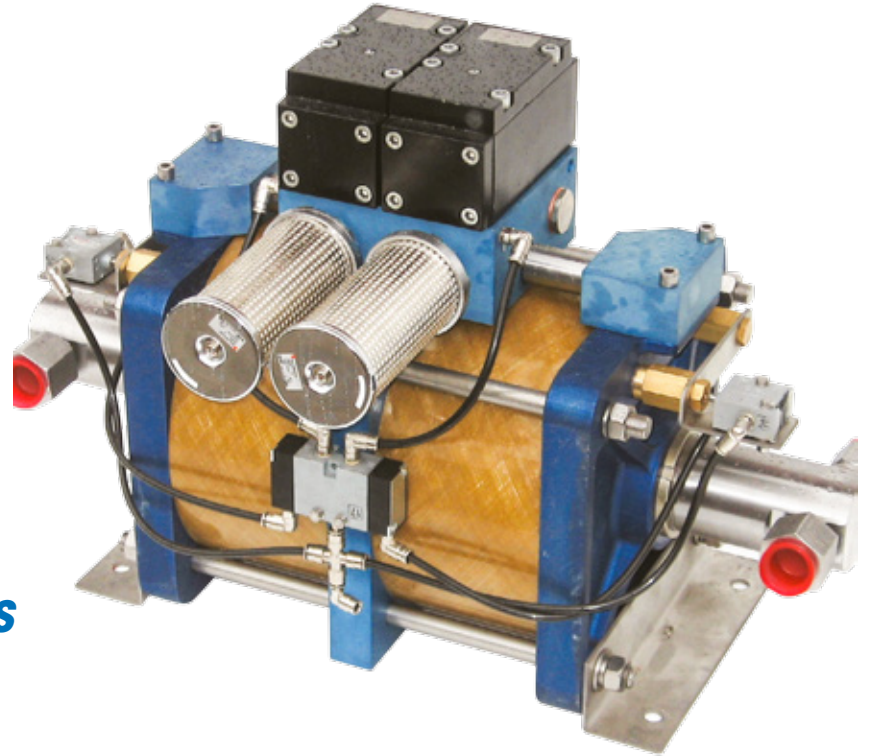
- Pressure testing of large i.d. pipelines, hose umbilicals, wellhead control valves...
- Chemical injection including methanol, glycol...
- Pre-charge of hydraulic accumulators
- Operation of Sub-Sea Valves
- Pre-fill and pre-pressurisation of high pressure and high volume test systems

## FEATURES

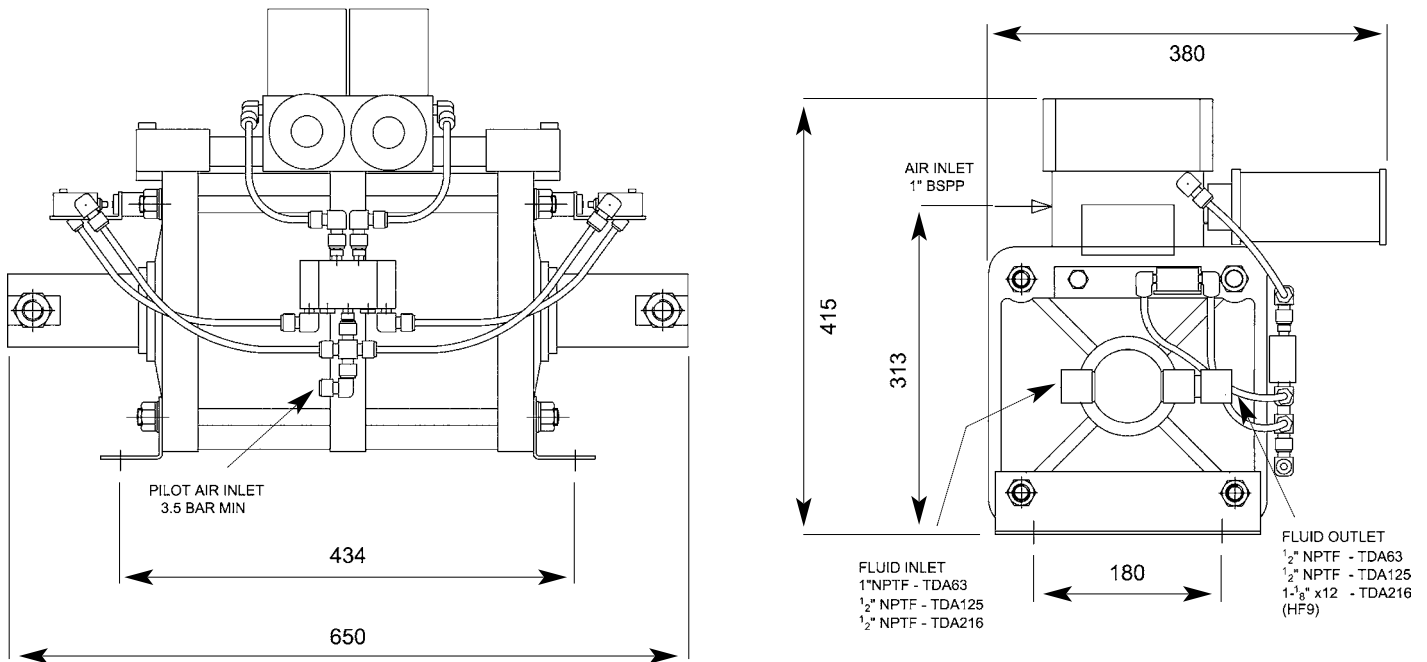
- Ability to stall at any predetermined pressure and hold this pressure without consuming power or generating heat
- Infinitely variable cycling speed and flow
- Reliable, easy to maintain, compact and robust
- Dual seals between hydraulic and air sections with captured vent port as standard

## CONSTRUCTION MATERIALS

- Hydraulic Section – Mainly stainless steels with water and/or oil service duty seals
- Air Drive Section – Mainly anodised aluminium with Buna N seals
- Special Seal Compounds for handling special fluids or chemicals are available



## DIMENSIONAL DATA



☎ 1-800-289-7447

✉ SALES@HIGHPRESSURE.COM

🌐 WWW.HIGHPRESSURE.COM

2955 W. 17<sup>TH</sup> STREET,  
ERIE, PENNSYLVANIA 16505



**PERFECT UNDER PRESSURE**